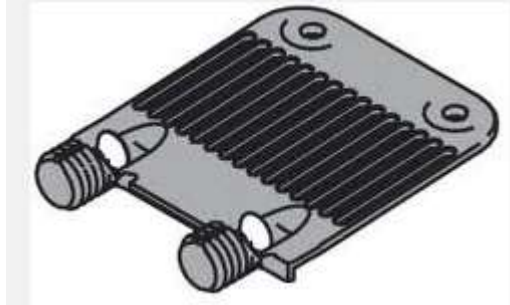


## Blum Drawer Front Stabilizer User Guide.



### Introduction

#### Overview

- The “Blum Drawer Front Stabilizer” package from Solid IT adds the Blum Stabilizer Z96.10E1 to Cabinet Vision Solid.
- It provides drilling for the Drawer/Rollout front and drawer/Rollout bottom parts, for CNC output.
- Adds up to 4 stabilizers depending on drawer widths set by you.
- *(You can change the drilling diameters and depths of the bottom screw holes.)*
- The bracket is added as a separate part and material for reporting purposes.
- The material description contains the Blum order number after the # symbol.
- It uses a material model for the stabilizer.

### Included in This Package

#### User Created Standards

- { DRAWS } -- Blum Front Stabilizer                      Adds Blum Drawer Front Stabilizer

#### Part

- DG\_BRKT\_FNT    Drw Front Bracket type part used for stabilizer

#### Miscellaneous Material:

- Blum Draw Fnt Stabilize                              Blum Draw Fnt Stabilizer #Z96.10E1

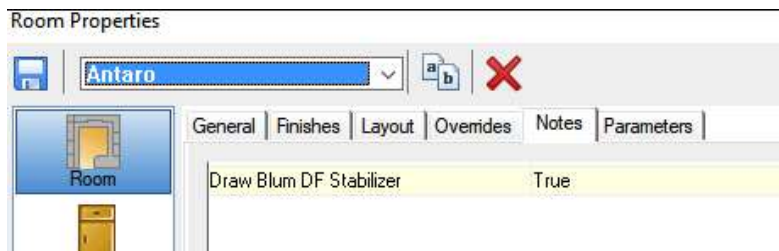
#### Room Note:

- Draw Blum DF Stabilizer                              True/False

### Setup

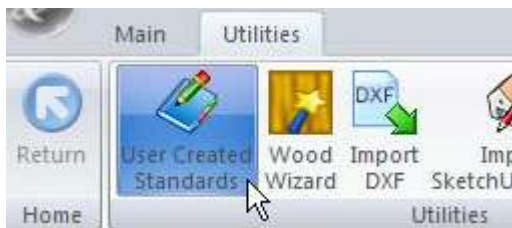
## Room Note

- Use the room note to turn on/off all the stabilizers in the room



## UCS Public Variables

- The UCS Public Variables are used to configure this package
- To change these variables go to the Utilities – Edit User Created Standards from the Room Plan or Elevation views



- Then click on the “{ DRAWS } -- Blum Front Stabilizer” UCS. The Public Variables are at the top right of the screen.

Public Variables	
Minimum Width for 1	700mm
Minimum Width for 2	900mm
Minimum Width for 3	1200mm
Minimum Width for 4	1500mm
Bottom Screw Depth	5mm
Bottom Screw Diameter	3mm
DG Thickness 1	37.5mm
DG Thickness 2	17.5mm
DG Thickness 3	15.5mm
DG Thickness 4	0
ROG Thickness 1	15.5mm
ROG Thickness 2	0
ROG Thickness 3	0
ROG Thickness 4	0

- **Minimum Width for 1** – drawers under this width will not receive the stabilizer. (Note that this width is the drawer box width not the drawer front width).
- **Minimum Width for 2,3,4** – drawer box widths to receive 2 3 or 4 stabilizers
- **Bottom Screw Depth** – Set the depth of the drawer bottom screw holes (0 for off)
- **Bottom Screw Diameter** – Set the diameter of the drawer bottom screw holes
- **DG Thickness 1-4** – Only drawer guides with these thicknesses will receive the stabilizer. The 37.5mm size is for the Blum tandembox Antaro/Intivo – 17.5mm is for Legrabox – and 15.5mm is for Metabox drawer guides.
- **ROG Thickness 1-4** – Only Rollout guides with these thicknesses will receive the stabilizer. 15.5mm is for Metabox rollout guides.

- You can use the other sizes to have up to a total of 4 drawer and 4 rollout guide types that use this stabilizer
- The drawer guide side clearance is found in the material manager on the “Clearance” tab shown here:

ID	Name	Material	Clearance	Guide	Finishes	Finish Types
		Side Clearance	Minimum Belo...	Minimum Abov		
2022	Atro Wte Bmn 30 Mx300		37.50		9.50	3
2434	Atro Wte Bmn 30 Mx350		37.50		9.50	3
2433	Atro Wte Bmn 30 Mx400		37.50		9.50	3
2432	Atro Wte Bmn 30 Mx450		37.50		9.50	3
2431	Atro Wte Bmn 30 Mx500		37.50		9.50	3
2430	Atro Wte Bmn 30 Mx550		37.50		9.50	3

- If you are using imperial sizes simply replace the whole **3mm** with the imperial measurement instead.
- E.g.: **3mm** might become **1/8**
- Change the **Bottom Screw Holes** value to **0** if you normally do not want to drill drawer bottom.

Once you have changed these values to your requirements, close the UCS editor.

## Tools Required

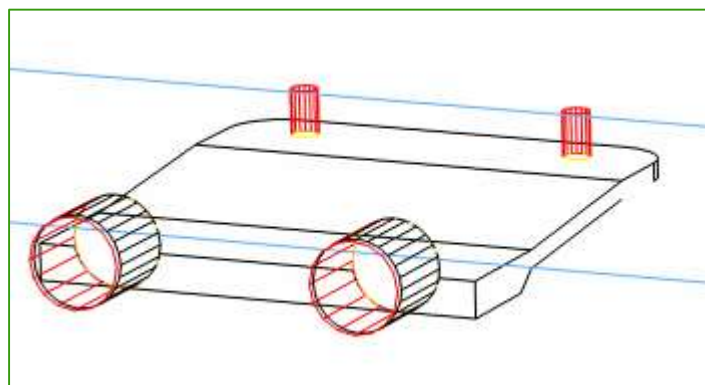
- The drill diameters you choose in the UCS Public Variables above and a 10mm drill for the drawer front dowels are required for this package to work. You must have these tool diameters in your tool catalog and in your machine.

## Blum Stabilizer Usage

### Drawer Requirements.

For the Stabilizer to appear on a drawer bottom the following conditions must be met

- Drawer Box Width must greater than the width specified in the ‘**Minimum Box Width**’ Variable (See Above).
- Drawer Guide Thickness must match one of the 4 options specified above.
- The stabilizer will then be added to the center of the drawer front, under the drawer bottom.
- The “**Blum Front Stabilizer?**” attribute will also be added to the drawer bottom (BBT), set to “**TRUE**”
- The attribute can then be changed to **False** to turn off the stabilizer on any individual drawer bottom.
- (You must be in the orthographic or “Smiley” views to click on the bottom (BBT) and see the attribute)



•

## Package Exclusions

There may be some items shown in various images contained in this document which are not included in this Package. Any items not specifically mentioned in this guide are part of our other packages which are sold separately.

See our website for more detailed information on these packages.