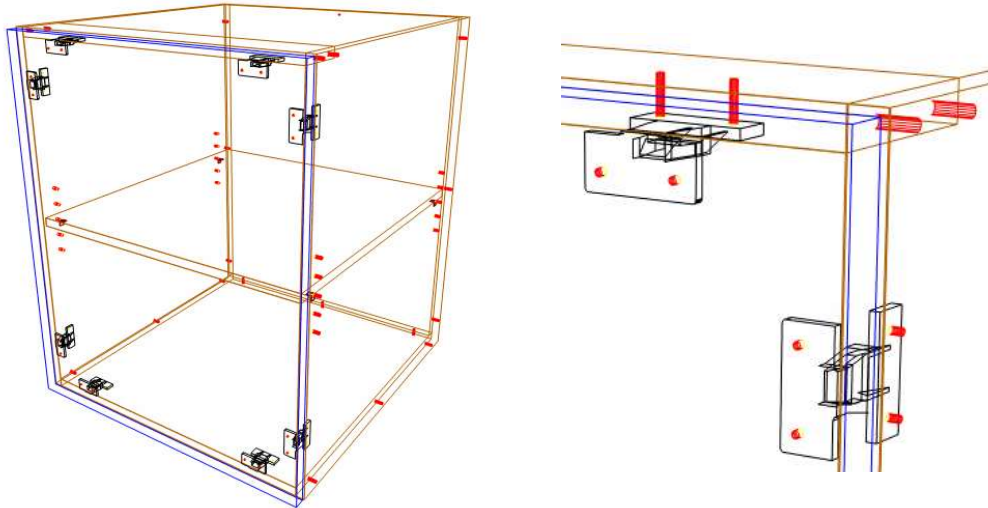


# Hafele Keku Panel Clip User Guide.



## Introduction

### Overview

- The 'Hafele Keku Panel Clip Package' from Solid IT adds the Hafele Keku Panel Clip to a Door, Panel or False front in the section view.
- Drills the panel and frame (cabinet).
- Displays the Panel Clip graphically utilizing material models.
- Adds attributes to the Door/Panel to control the quantity and position on all 4 edges separately.
- The defaults for drilling sizes, Clip positions etc. are editable as UCS Public Variables.
- Either the Chipboard screw or Varianta screw type can be used and will report with correct order codes.

## Included in This Package

### User Created Standards

The Following 2 UCSs are provided:

{ DOOR } -- Hafele Keku Panel Clip Attributes

{ DOOR } -- Hafele Keku Panel Clip

### Materials

The following 4 materials are provided:

**Keku Push Fit Frame Component Chip Screw #262.50.368**

**Keku Push Fit Panel Component Chip Screws #262.50.359 per clip**

**Keku Push Fit Frame Component Varianta #262.50.377**

**Keku Push Fit Panel Component Varianta #262.50.358 per clip**

### Parts

The Part **CLIP** – is added to the Assembly part catalog.

## Settings

### UCS Public Variables

There are 13 Public Variables in the “{ DOOR } -- Hafele Keku Panel Clip Attributes” UCS.

- To change these variables go to the Utilities – Edit User Created Standards from the Plan or Elevation views



- Then click on the “{ DOOR } -- Hafele Keku Panel Clip Attributes” UCS.
- On the top right hand side of the screen you will see the Public Variables list:

Public Variables	
Clearance Bot	16mm
Clearance Left	16mm
Clearance Right	16mm
Clearance Top	16mm
Corner Offset	100mm
Frame Hole Diameter	3mm
Frame Hole Depth Bot	16.5mm
Frame Hole Depth Left	5mm
Frame Hole Depth Right	5mm
Frame Hole Depth Top	5mm
Panel Hole Depth	3mm
Panel Hole Diameter	3mm
Varianta Screw?	False

- Clearance Bot** = Default distance from Bottom edge of **OPENING** to Clips.
- Clearance Left** = Default distance from Left edge of **OPENING** to Clips
- Clearance Right** = Default distance from Right edge of **OPENING** to Clips
- Clearance Top** = Default distance from Top edge of **OPENING** to Clips
- Corner Offset** = Default distance from corners to **centre** of Clips.

**Varianta Screw? (0=false 1=true)** = Controls which materials report for ordering as follows:

“0” will select one of: Keku Push Fit Frame Component Chip Screw #262.50.368

And one of: Keku Push Fit Panel Component Chip Screws #262.50.359 per clip

“1” will select one of: Keku Push Fit Frame Component Varianta #262.50.377

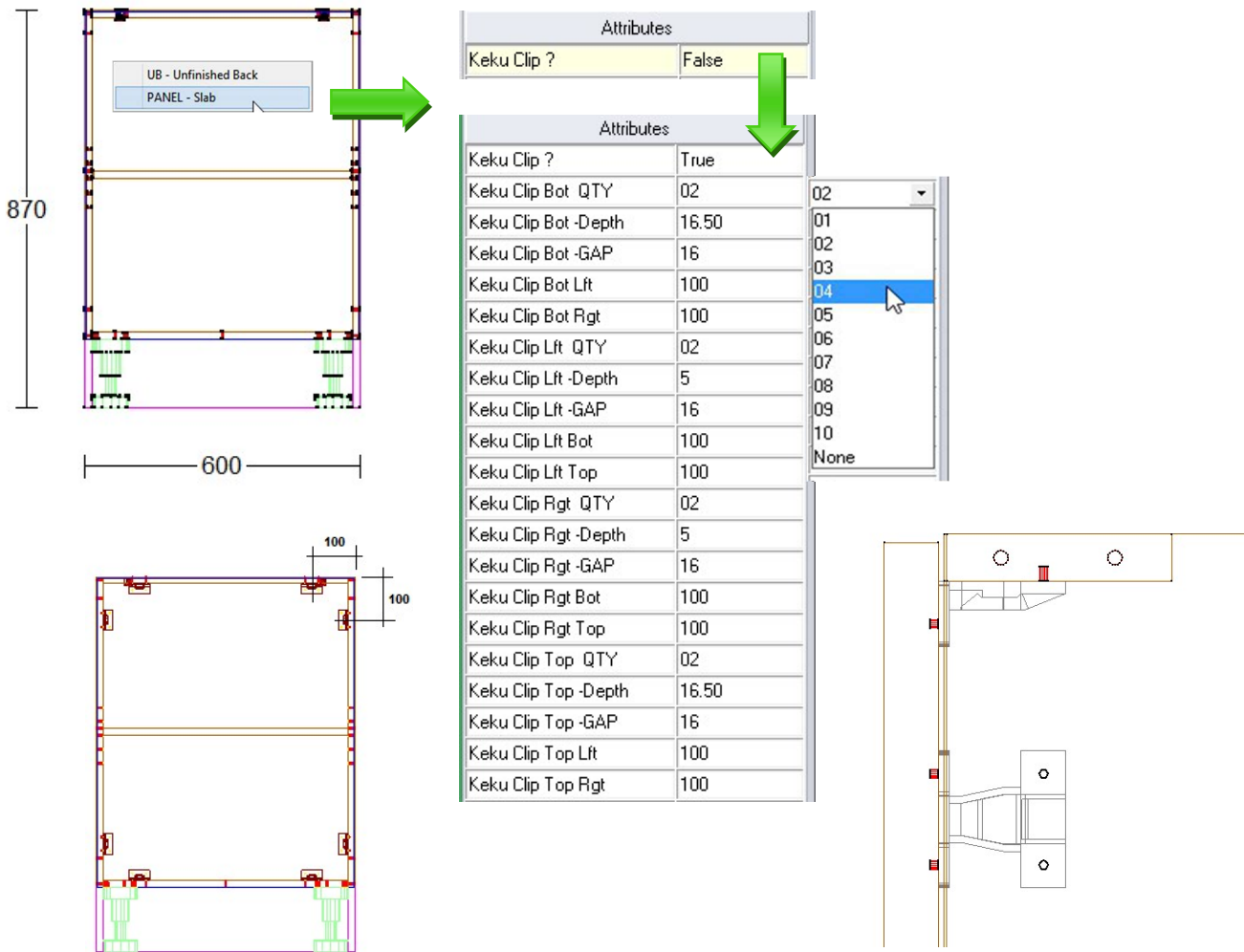
And one of: Keku Push Fit Panel Component Varianta #262.50.358 per clip

- Panel Hole Diameter** = Hole diameter in Door/Panel or False front.
- Panel Hole Depth** = Hole depth in Door/Panel or False front.
- Frame Hole Diameter** = Hole diameter in cabinet parts.
- Frame Hole Depth Bot** = Hole diameter in cabinet bottom or horizontal part.
- Frame Hole Depth Left** = Hole diameter in cabinet ends or vertical parts.
- Frame Hole Depth Right** = Hole diameter in cabinet ends or vertical parts.
- Frame Hole Depth Top** = Hole diameter in cabinet top or horizontal part.

## Usage

### Attributes

- To add the Keku Panel Clips click on the door/panel or false front in the orthographic front view in the cabinet editor.
- Tick **“Keku Clip ?”** under the Attributes heading on the left side of the screen to true:



- There are the following 5 attributes for each edge (**Top, Bottom, Left and Right edges**)
  - The **QTY** attribute controls the clip quantity (**1-10**) or turns them off (**None**). (**default is 2**)
  - The **GAP** attribute moves the row of clips toward or away from the edge of the **“opening”**.
- NOTE** – the **“opening”** is the size the door/panel etc. would be if all reveals were set to **zero**.
- The **Depth** attribute controls the depth of the holes in the frame (cabinet parts)
  - The last two attributes per edge, move the first and last clip relative to the corner (**Default is 100mm**)
- 
- The Frame (Cabinet ) holes will stay 37mm behind the panel
  - Using the section view Inset to move the panel or door in or out will move the Keku clip in or out with it, maintaining the 37mm distance to the frame holes.