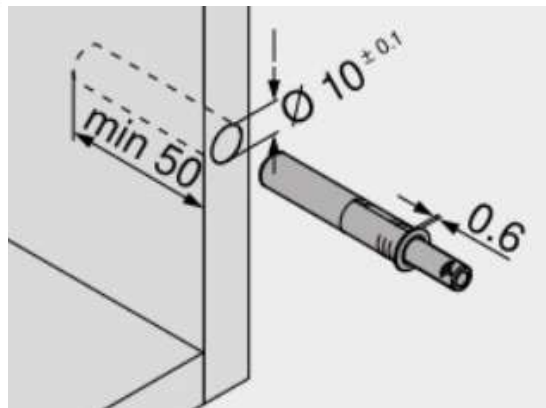
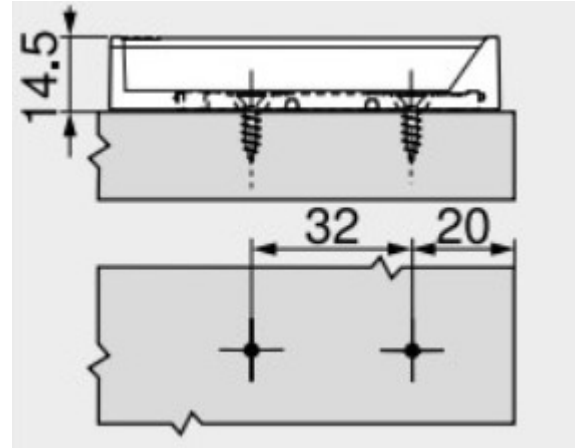


## BLUM TIP-ON for Doors - User Guide.



## Introduction

### Overview

- The 'BLUM TIP-ON for Doors Package' from Solid IT adds the BLUM TIP-ON 956\* Recessed or Surface mount catches to Cabinet Vision Solid.
- It provides drilling for the cabinet ends and the door for CNC output.
- It also adds 3d graphics for the Tipon itself
- All material descriptions contain the BLUM order number after the # symbol.
- Silk White, Terra Black, and R7036 Platinum Grey colours.
- Short version with magnet, or Long versions with either magnet or bumper to select from
- Choice of Short or Long inline adapter plates or recessed edge mounted Tipons
- Magnet type has choice of glue-on or screw-on catch plate.

## Included in This Package

### User Created Standards

The Following UCS is provided

- { DOOR } -- BLUM TIPON for Doors

## Materials

The Following materials are provided:

Name	Description
TIP-ON Adapter Plt Long Grey	TIP-ON Adapter Plate Long #956A1201.R7036
TIP-ON Adapter Plt Long S.White	TIP-ON Adapter Plate Long #956A1201.SW
TIP-ON Adapter Plt Long T.Black	TIP-ON Adapter Plate Long #956A1201.TS
TIP-ON Adapter Plt Short Grey	TIP-ON Adapter Plate Short #956.1201.R7036
TIP-ON Adapter Plt Short S.White	TIP-ON Adapter Plate Short #956.1201.SW
TIP-ON Adapter Plt Short T.Black	TIP-ON Adapter Plate Short #956.1201.TS
TIP-ON Set Long Bump Grey	TIP-ON Set Long Bumper #956A1006.R7036
TIP-ON Set Long Bump S.White	TIP-ON Set Long Bumper #956A1006.SW
TIP-ON Set Long Bump T.Black	TIP-ON Set Long Bumper #956A1006.TS
TIP-ON Set Long Mag Grey	TIP-ON Set Long Magnet #956A1004.R7036
TIP-ON Set Long Mag S.White	TIP-ON Set Long Magnet #956A1004.SW
TIP-ON Set Long Mag T.Black	TIP-ON Set Long Magnet #956A1004.TS
TIP-ON Set Short Mag Grey	TIP-ON Set Short Magnet #956.1004.R7036
TIP-ON Set Short Mag S.White	TIP-ON Set Short Magnet #956.1004.SW
TIP-ON Set Short Mag T.Black	TIP-ON Set Short Magnet #956.1004.TS

## TIP-ON Catch Usage

### Door Attributes

- In the Cabinet editor, click on the door in the front orthographic (smiley) view,
- On the left side of the screen you will see the following attribute

**Tipon Catch** = None  
**Adapter Plate**  
**Edge No Hole**  
**Edge with Hole**

- Select Adapter Plate or Edge No Hole/Edge with Hole and the following attributes will appear

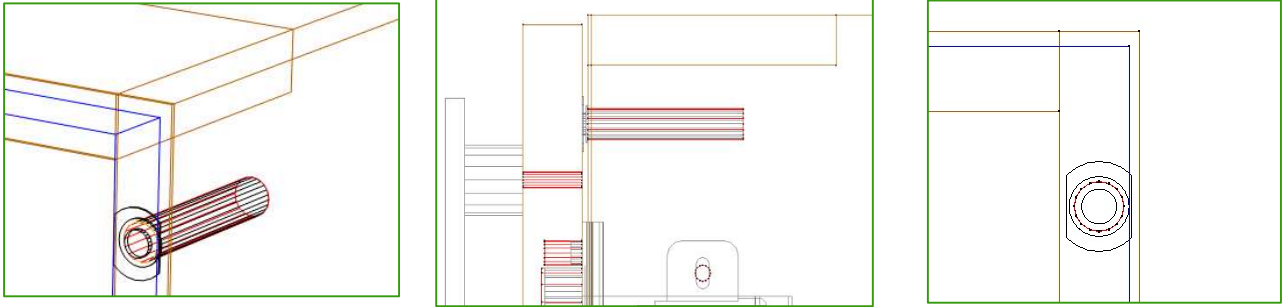
**Tipon Colour** = Choose from Silk White/Grey/Black  
**Tipon Type** = Choose from:  
 Short with Magnet  
 Long with Magnet  
 Long with Bumper

- Once the Type is selected the catch will appear on the door

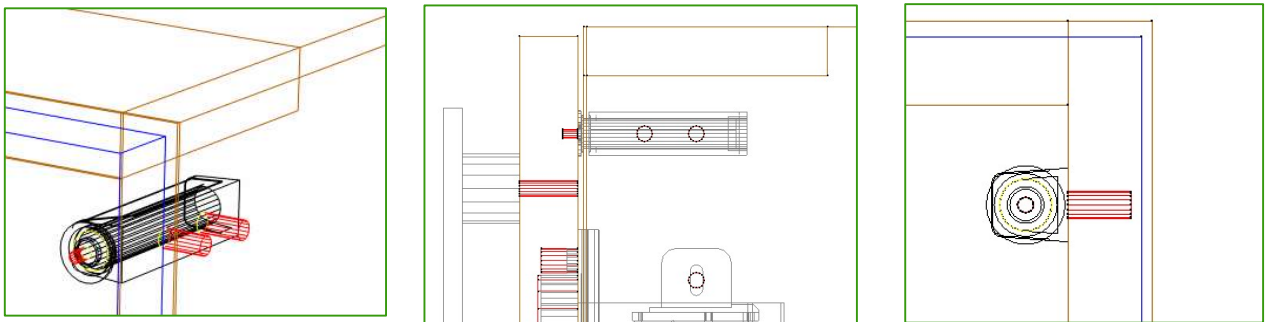
**TIPON Magnet Plate** = For magnet type only – changes catch plate on door – (both types come in kit)  
 Glue On  
 Screw On – (drills pilot hole in Door)

- Use the following attributes to change its position

**Tipon Center Offset** = Distance from center of edge when edge position center is selected  
**Tipon Corner Offset** = Distance from corner of currently selected edge  
**Tipon Edge** = Select edge from Top/Bottom/Left/Right  
**Tipon edge offset** = Distance away from edge  
**Tipon Edge Position** = Select position on edge as corner or center  
**Tipon Edge Reference** = Select the edge offset to reference the opening edge or part edge.



**Recessed Tipon with Magnet and Glue-on catch plate**



**Surface Tipon with Adapter Plate with Magnet and screw-on catch plate**

## Material Models – Editing Drilling Sizes

### Material Manager

The Drilling dimensions provided for the Tipon catches are as follows:

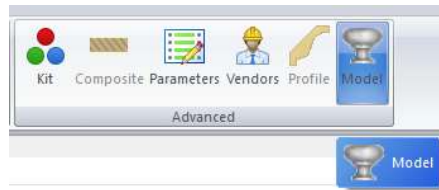
- Recessed Edge Hole – 10mm Diameter, Short 50mm Deep or Long 76mm Deep
- Magnet Screw On Catch Plate Door Hole – 3mm Diameter, 5mm Deep.
- Adapter Plate Holes – 5mm Diameter, 12mm Deep.

To edit any of the drilling sizes, in the material manager, search for “TIP-ON”

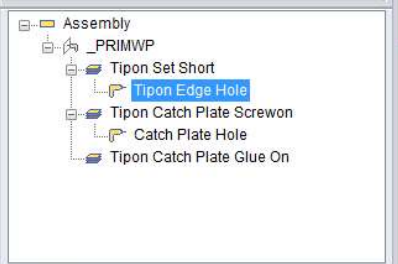
Right click on the Tipon material you wish to edit and select Properties.



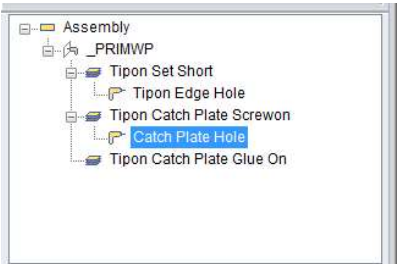
From the Advanced group of buttons, click the Model button:



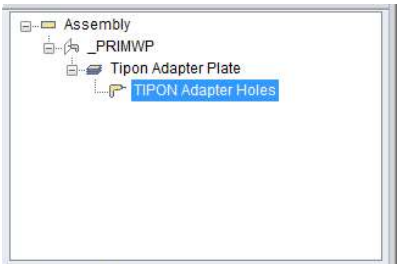
- The drilling sizes can be edited by selecting the operation in the window on the left as shown below
- To change a diameter edit the DX value
- To change a depth edit the DZ value



Tipon Edge Hole	
Name	HOLEMASTER
Description	Tipon Edge Hole
X	6
Y	6
Z	-50
DX	10
DY	0
DZ	50



Catch Plate Hole	
Name	HOLEMASTER
Description	Catch Plate Hole
X	7.5
Y	7.5
Z	0
DX	3
DY	0
DZ	5



TIPON Adapter Holes	
Name	LBOREMASTER
Description	TIPON Adapter Holes
X	18.4
Y	7
Z	0
DX	5
DY	32
DZ	12

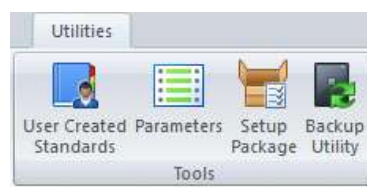
1. **TIP-ON set material -Recessed Edge Hole:** Select the Tipon Edge Hole to edit the 10mm edge hole
2. **TIP-ON set material -Screwon Catch Plate:** Select the Catch Plate Hole to edit the 3x5mm hole
3. **TIP-ON Adapter Plt material:** Select the Tipon Adapter Holes to edit the 5x12mm holes

## Defaults

### UCS Public Variables

There are 3 Public Variables in the { DOOR } -- BLUM TIPON for Doors " UCS.

- To change these variables go to the Utilities – Edit User Created Standards from the Room Plan or Elevation



- Then click on the "{ DOOR } -- BLUM TIPON for Doors" UCS.

- On the top right hand side of the screen you will see the Public Variables list:



Public Variables	
TIPON Corner Offset	50mm
TIPON Offset Recessed	8mm
TIPON Offset Surface	16mm

- Tipon Corner Offset** = Default Distance along edge from corner of door
- Tipon Offset Recessed** = Default distance from edge to center of hole for recessed catch.
- Tipon Offset Surface** = Default distance from edge to inside of catch for surface mounted catch.

Once you have changed these values to your requirements, you can close the UCS editor.

## Tools Required

- The drill diameters on the material models provided require:
- 5mm diameter vertical Drill
- 3mm diameter vertical Drill
- 10mm diameter Horizontal Drill (If selected)

## Package Exclusions

Some of the items which may be shown in various images contained in this document may not be included in the BLUM TIP-ON Tech Door Catches Package but come from other packages which are sold separately.

See our website for more detailed information on these packages.